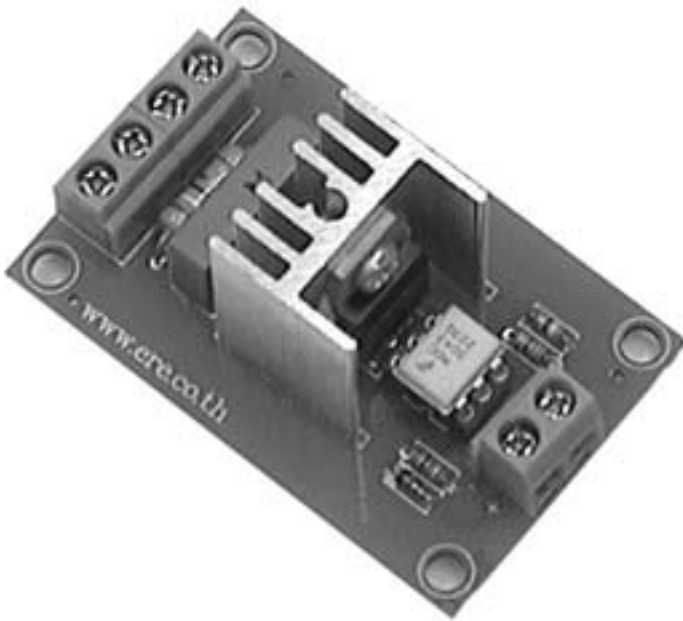


SSRAC112

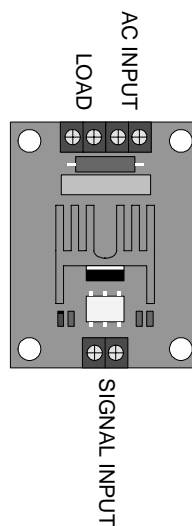
Solid State Relay AC



FEATURES

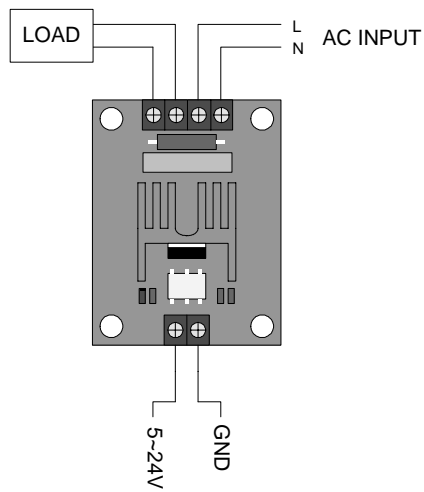
- 12A, 600VAC Triac
- 1 phase
- With zero-crossing
- Opto-isolate
- 5-24VDC input voltage
- Built-in snubbing circuit , 275 VAC capacitor

BOARD DIAGRAM

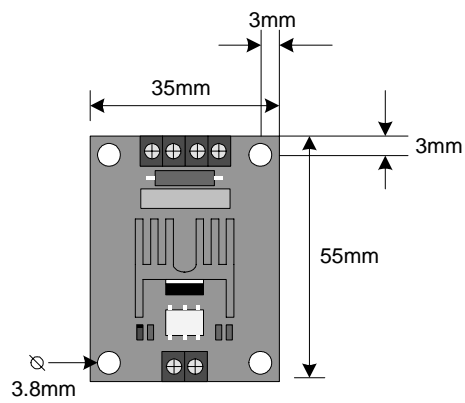


SSRAC11220050223

USE THE AARAC



BOARD DIMENSION



SSRAC1120050223