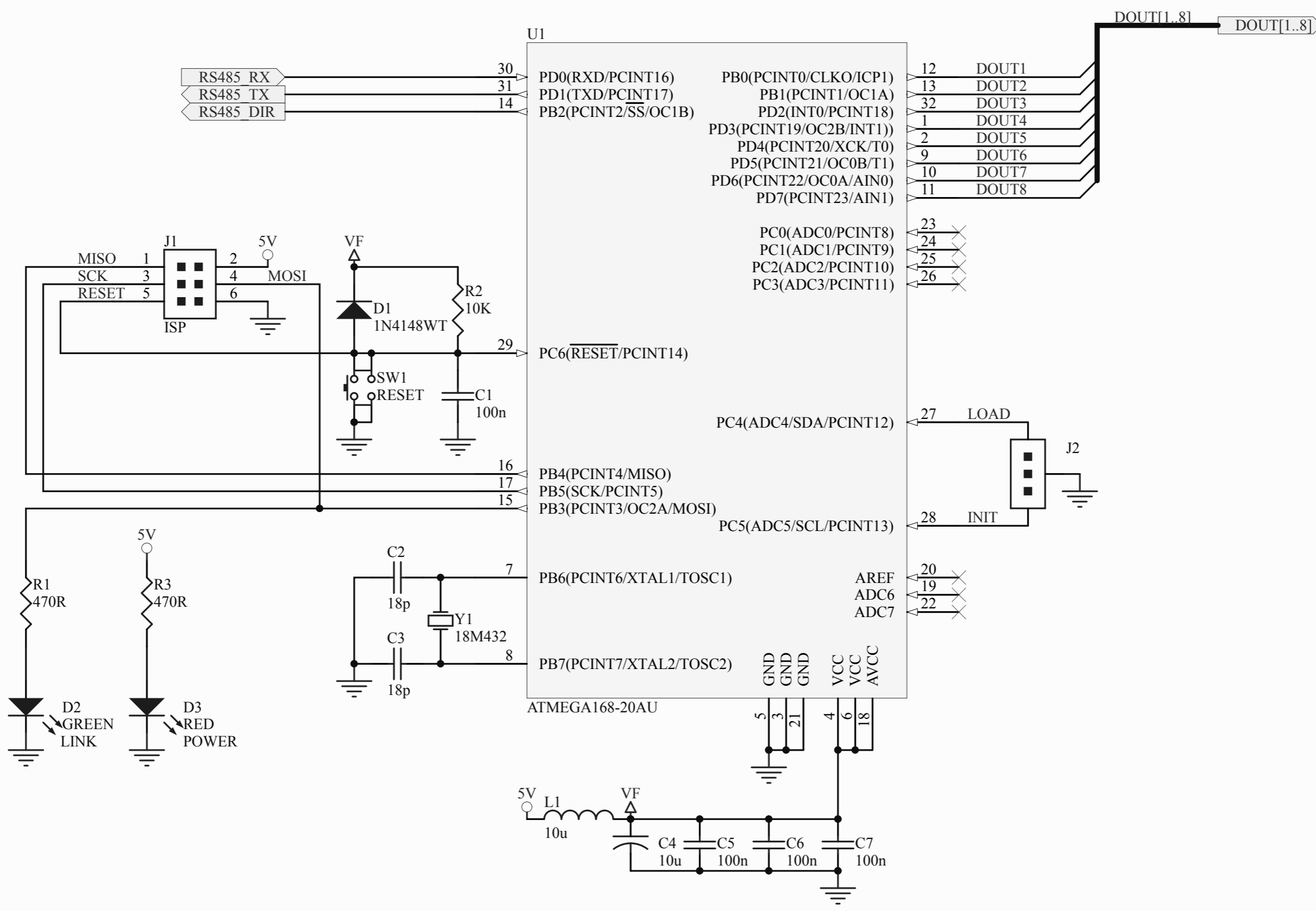
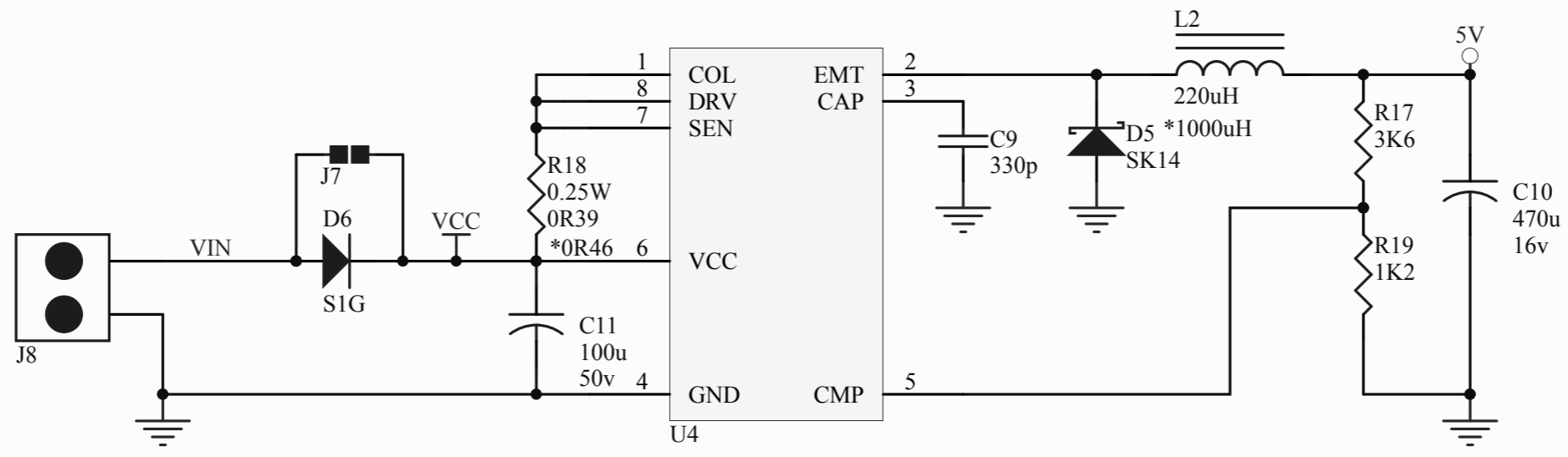


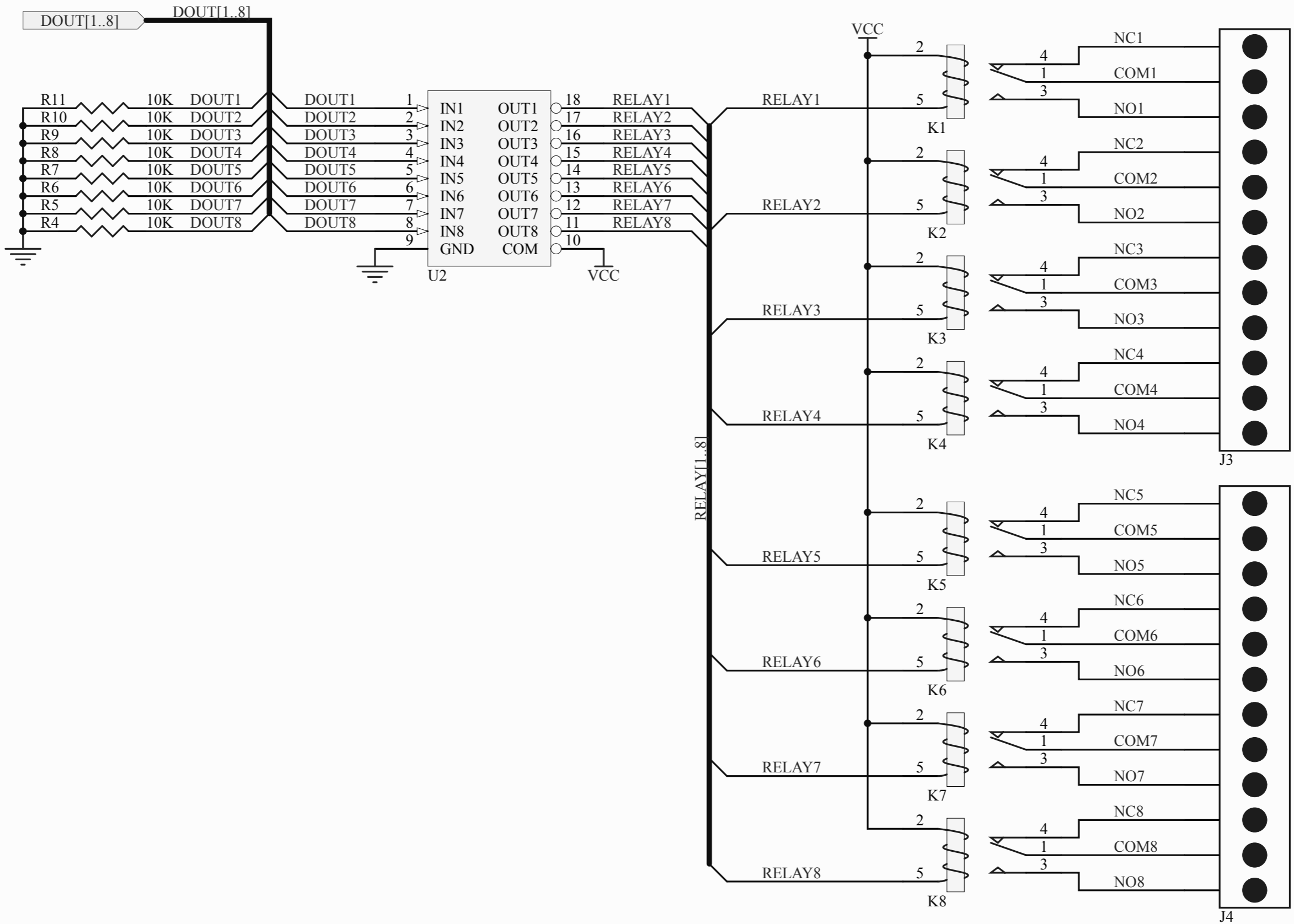
Title		
RTU-RL8xxM		
Size	Number	Revision
A		1
Date:		Sheet1 of 4
File:	rs485.SchDoc	Drawn By: ERE Company Limited.



Title RTU-RL8xxM		
Size A	Number	Revision 1
Date:		Sheet1 of 4
File:	cpu.SchDoc	Drawn By: ERE Company Limited.



Title		
RTU-RL8xxM		
Size	Number	Revision
A		1
Date:		Sheet3 of 4
File:	supply.SchDoc	Drawn By: ERE Company Limited.

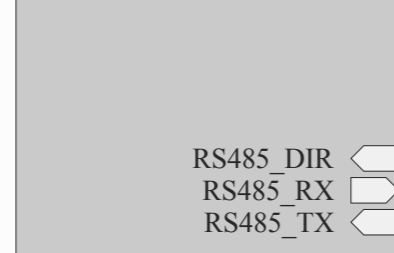


Title		
RTU-RL8xxM		
Size	Number	Revision
A		1
Date:		Sheet4 of 4
File:	relay.SchDoc	Drawn By: ERE Company Limited.

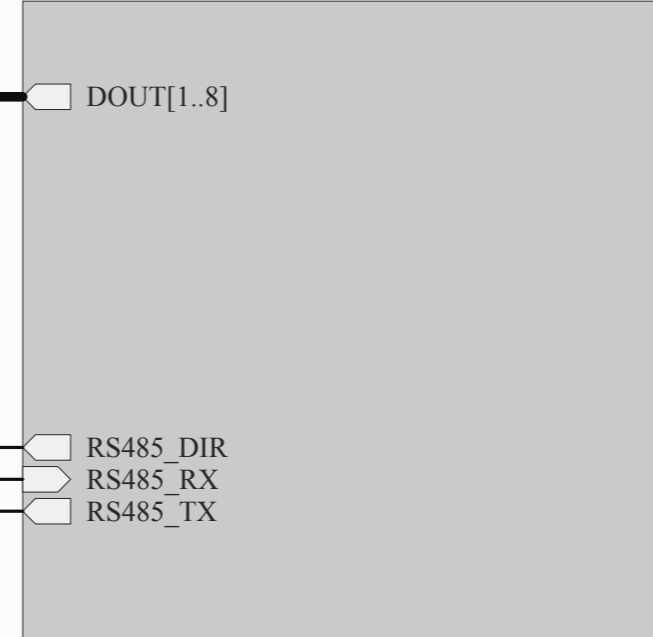
RELAY
relay.SchDoc



RS485
rs485.SchDoc



CPU
cpu.SchDoc



SUPPLY
supply.SchDoc

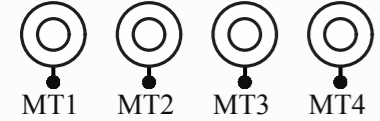


DOUT[1..8]

DOUT[1..8]

RS485_DIR
RS485_RX
RS485_TX

RS485_DIR
RS485_RX
RS485_TX



Title		
Size A	Number	Revision
Date:		Sheet of
File:	main.SchDoc	Drawn By: