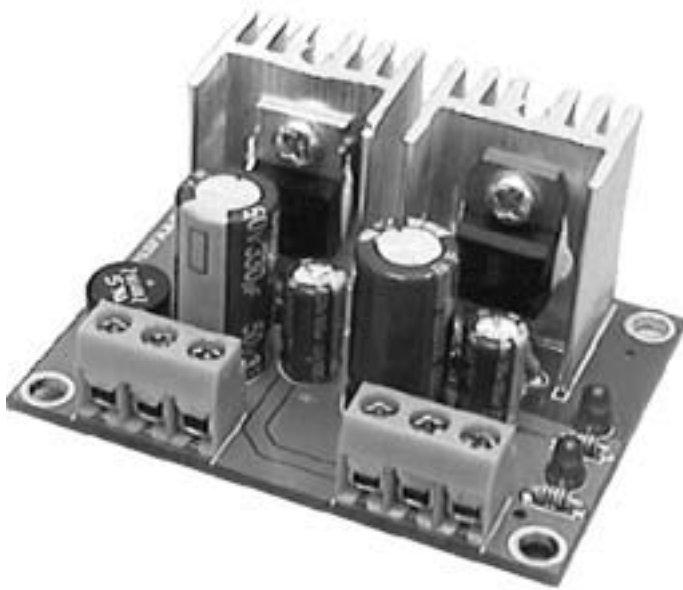


PW7879

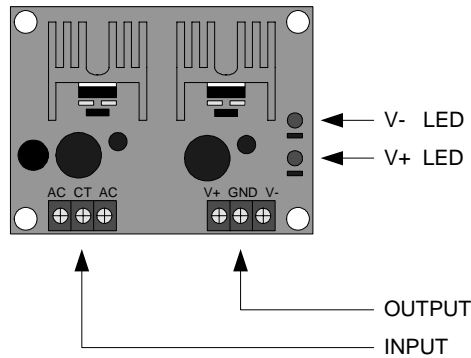
+/- Linear Power Supply



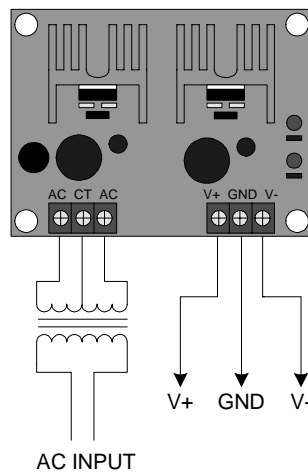
FEATURES

- Linear Regulator
- Positive/Negative output voltage
- On board bridge rectifier
- 2 LEDs status
- Direct input from transformer
- 1A maximum current rating
- Several selectable output voltage

BOARD DIAGRAM

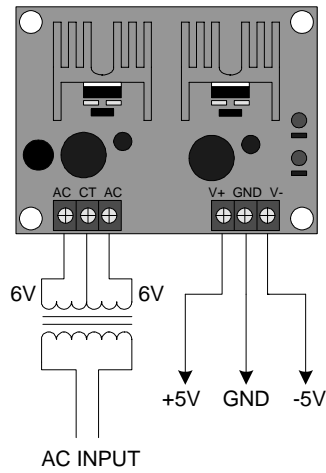


USE THE BOARD

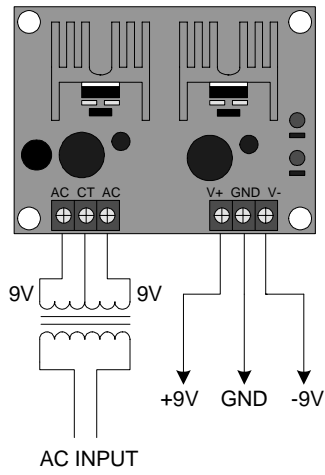


PW787920050221

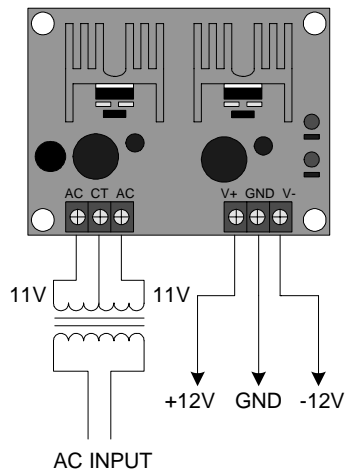
+/- 5V EXAMPLE



+/- 9V EXAMPLE

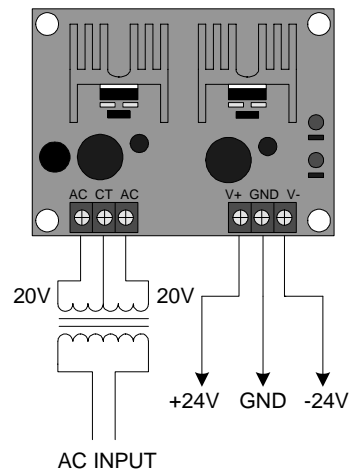


+/- 12V EXAMPLE

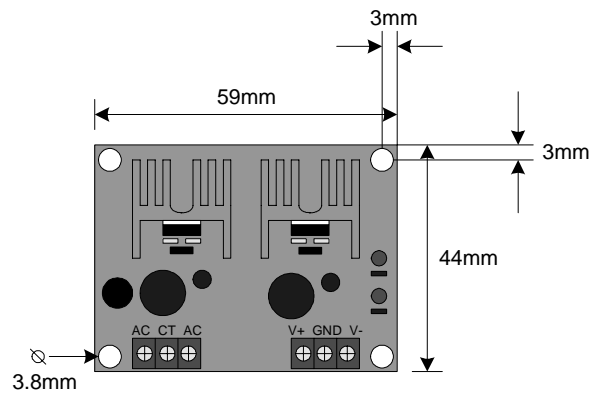


PW787920050221

+/- 24V EXAMPLE



BOARD DIMENSION



PW787920050221