

1

2

3

4

D

D

C

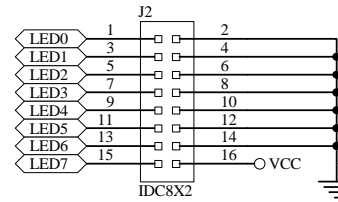
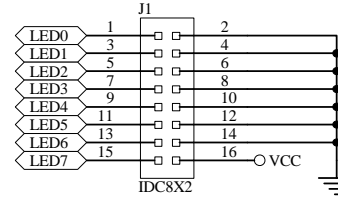
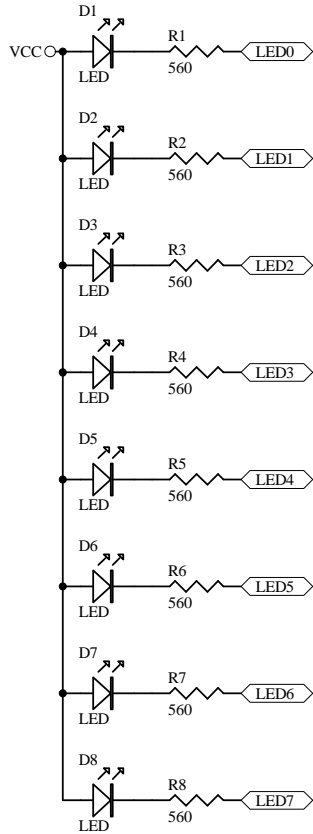
C

B

B

A

A



ERE CO.,LTD.
<http://www.ereshop.com>
<http://www.ere.co.th>

LED8 v1.5

Size A4	FCSM No.	DWG No. 1	Rev B
------------	----------	--------------	----------

Scale	Sheet 1 of 1
-------	-----------------

1

2

3

4