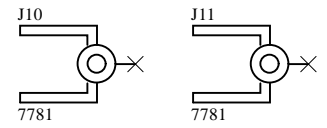
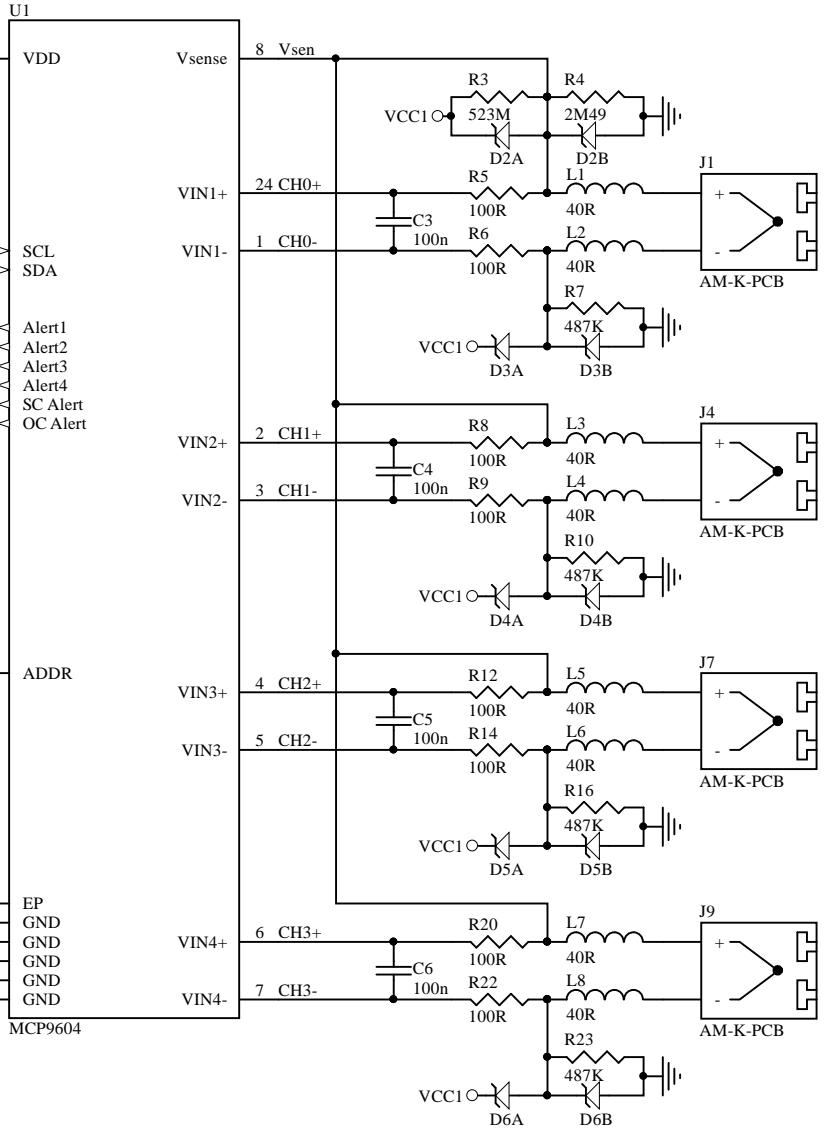
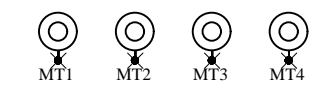
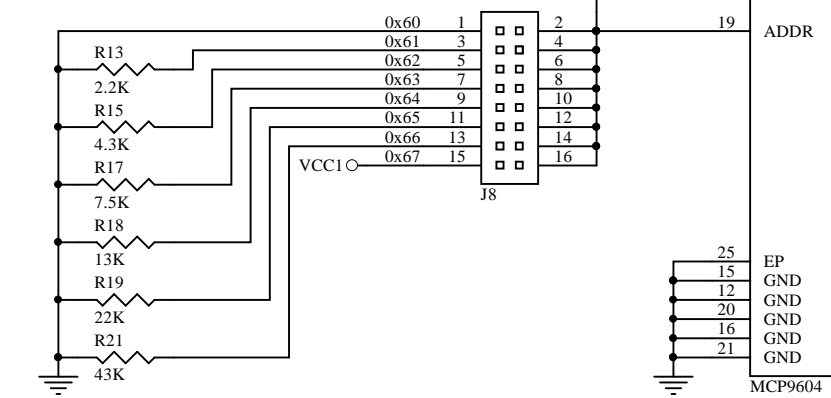


VCC: 2.7-5.5V  
SCL: 100KHz



Title			<b>ere</b>
I2C BUS THERMOUPLE EMF CONVERTER 4-CH			
Size	Number	Revision	1.0
A4	I2C-TC9604XP		
<a href="https://www.ereshop.com">https://www.ereshop.com</a>		Sheet 1 of 1	
Drawn By: ERE Company Limited.			