

# I106

## AVR ISP-pin Converter

### Features

- 6-pin female
- 10-pin male
- Convert 10-pin to 6-pin
- Compatible to Atmel's ISP standard

### Descriptions

This is a converter for standard AVR ISP programmer. It converts ISP pins from 10-pin to 6-pin. When AVR board has a 6-pin of ISP connector and a programmer has a 10-pin of ISP cable. They aren't right fit together. A converter is need for correcting this problem. This converter can make right fit for the programmer and the AVR board.

On this converter board, the one end is 6-pin connector. It is 6-pin 0.1' (2.54mm) pitch female header. And the another end is 10-pin connector. It is 10-pin 0.1' (2.54mm) pitch male header.

### Pin Diagram

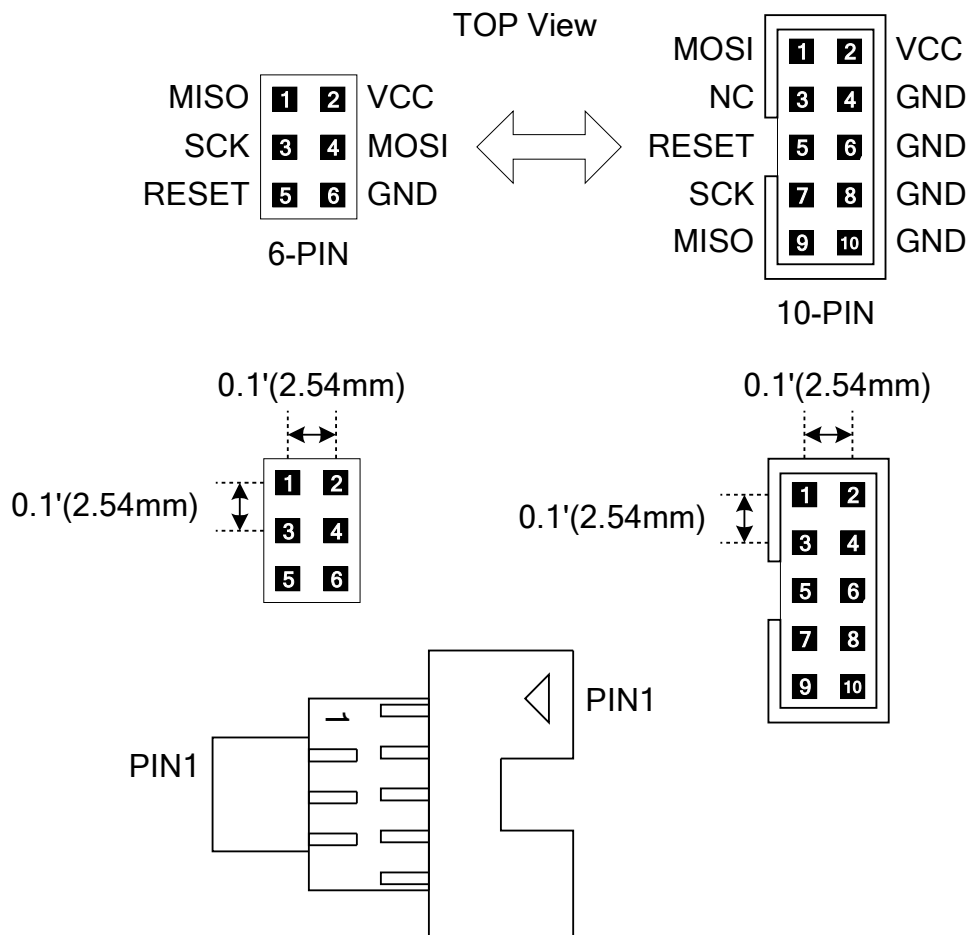


Figure 1: Pin Diagram